

Project Name		Product Code	
Job Location		Date	
Notes			

**SPECIFICATIONS**

**POLE SHAFT**

The pole shaft is fabricated from hot rolled welded steel tubing of one-piece construction with a minimum yield strength of 55 KSI. Wall thickness available in 11 gauge (.120") or 7 gauge (.180").

**POLE TOP**

Options include tenon top, drilled for side mount fixtures, and a removable pole cap is provided.

**ANCHOR BOLTS**

Anchor bolts conform to ASTM F1554 Grade 55 and are provided with 4 hex nuts and 4 flat washers. Bolts have an "L" bend on one end and are galvanized.

**HAND HOLE**

A reinforced hand hole with grounding provision is provided at 18" from the base on side A. Every hand hole includes a cover and cover attachment hardware. The hand hole has a nominal dimension of 3" x 5".

**BASE COVER**

Poles are provided With a two-piece formed steel base cover that is easily assembled and fitted over pole base (optional).

**FINISH/COLOR**

Exterior of pole and base plate are protected by powder-coated over galvanization finish. Standard finish are Black, Dark Bronze, Silver Gray, and White. Premium finish are Pine Green, and Corten Brown.

**POLE LENGTH**

Poles are Available in Standard Lengths as Shown in the Order Matrix. Poles can be Custom Cut to Order. Consult Factory.

**MOUNTING OPTIONS**

See mounting options specification for available adapters, brackets, and bullhorns.

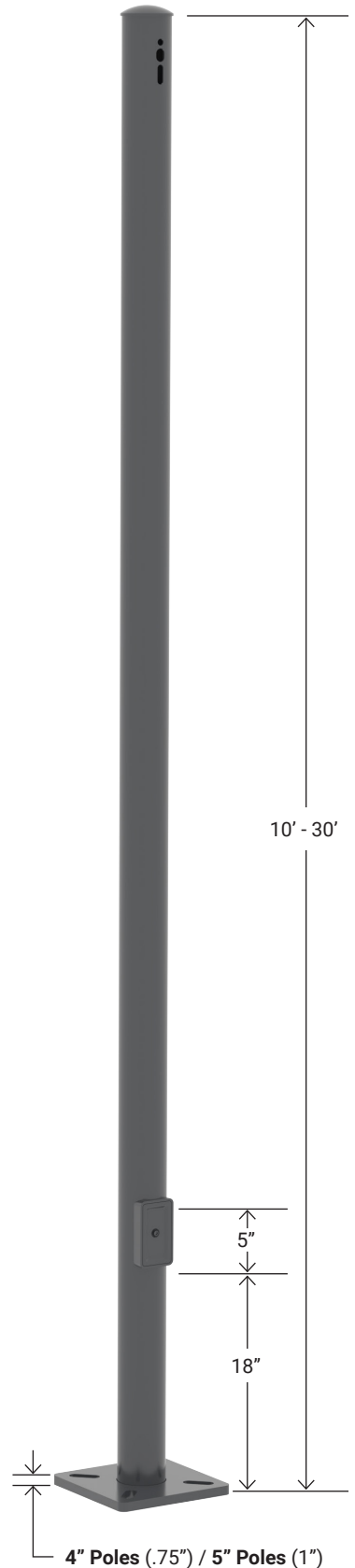
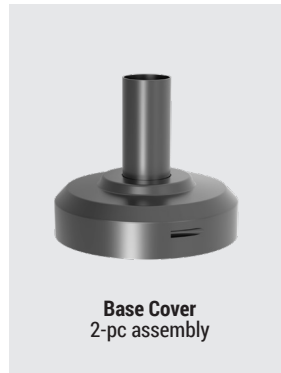
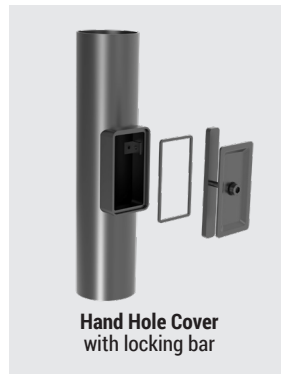
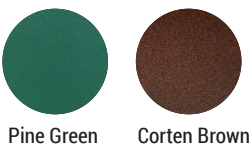
**WARRANTY**

Structural warranty of five (5) years and a finish/paint warranty of three (3) years.

**STANDARD COLOR**



**PREMIUM COLOR**



Project Name	Product Code
Job Location	Date
Notes	

RSSA

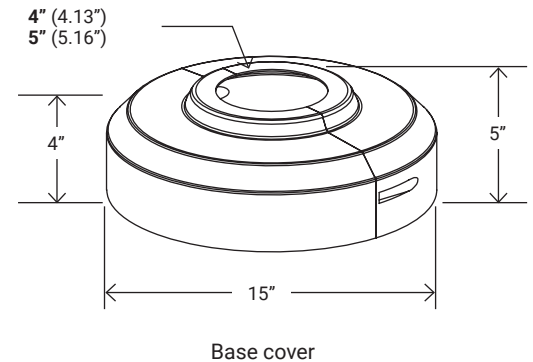
## ROUND STRAIGHT STEEL ANCHOR BASED POLE

ORDERING SAMPLE: **RSSA-10-411-D2-BC-BK**

SSSA	Pole Type	Height	Pole Size/Gauge	Mounting	Base Cover	Color	Other Options
<b>RSSA</b> Round Straight Steel Anchor Based		10 - 10' 15 - 15' 20 - 20' 25 - 25' 30 - 30'	411 - 4" / 11 gauge 507 - 5" / 7 gauge* 511 - 5" / 11 gauge*	D2 - Pre-drilled 2 sides with plugs	NB - No base cover BC - With base cover	BK - Black DB - Dark Bronze SG - Silver Gray WH - White PG - Pine Green* CB - Corten Brown*	blank - no option GF48 - GFCI at 48" height
			*30' pole only			*Premium color	

### ACCESSORIES & SERVICE

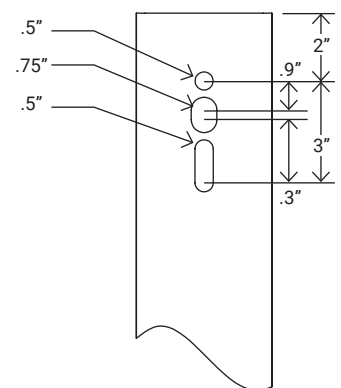
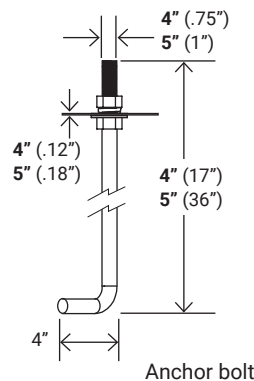
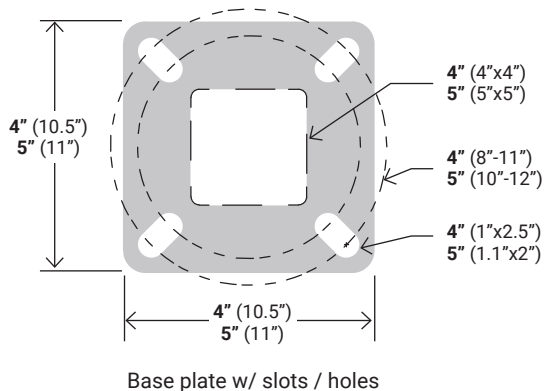
PS-ANCHOR	Pre-shipping anchor set
ANCHOR-430	Anchor set for 10 to 20' height pole
ANCHOR-762	Anchor set for 25' height pole
ANCHOR-914	Anchor set for 30' height pole
TEMPLATE-4	4" base pole template
TEMPLATE-5	5" base pole template
4RBC	4" round casted base cover
5RBC	5" round casted base cover



### NOTES

- Side Drilled poles include UV-stabilized polycarbonate pole cap.
- Cut to order poles can be side drilled for 2@180° or 4@90°, includes UV stabilized polycarbonate top cover and hole plugs for unused drilling locations.
- Cut to order poles may also be ordered with 2 3/8" OD or 2 1/2" OD tenons for use with post top decorative luminaires, flood/area slip fitter fixtures, or any of a wide variety of pole top mounting accessories.

### ANCHORAGE DATA



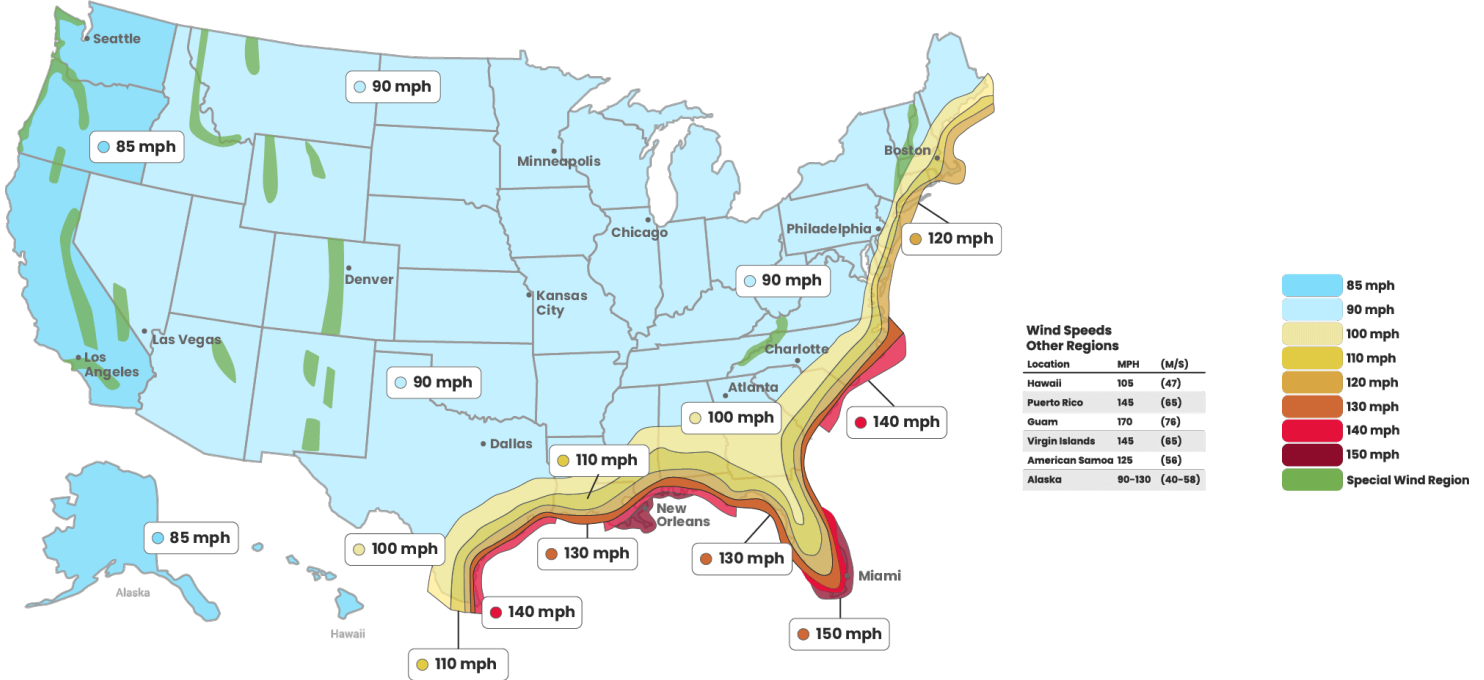
SHAFT BASE SIZE		BASE PLATE			ANCHOR BOLTS	
Shaft Size	Wall Thickness	Bolt Circle	Base Size	Thickness	Bolt Size (D x L x C)	Bolt Projection
4"	0.12"	8"-11"	10.5"	0.75"	.75" X 17" X 4" (For Anchor-430) .75" X 30" X 4" (For Anchor-716)	3.25"
5"	0.18"	10"-12"	11"	1"	1" X 36" X 4" (For Anchor-914)	4"

Project Name	Product Code
Job Location	Date
Notes	

## RSSA

## ROUND STRAIGHT STEEL ANCHOR BASED POLE

### WIND MAP



ASCE 7-05 WIND MAP EPA LOAD RATING - 3 SECOND GUST WIND

Cat. No.	Weight (lbs)	Total Luminaire Weight (lbs)	90 MPH (ft <sup>2</sup> )	100 MPH (ft <sup>2</sup> )	110 MPH (ft <sup>2</sup> )	120 MPH (ft <sup>2</sup> )	130 MPH (ft <sup>2</sup> )	140 MPH (ft <sup>2</sup> )
RSSA-10-411	80	600	16.7	13.2	12.2	10.0	8.3	7.0
RSSA-15-411	106	470	8.8	6.6	6.0	4.6	3.5	2.8
RSSA-20-411	132	340	5.6	3.9	3.5	2.4	1.5	1.1
RSSA-25-411	158	240	2.8	1.5	1.1	NR	NR	NR
RSSA-30-507	267	395	7.0	4.5	4.0	3.1	2.4	1.8
RSSA-30-511	233	245	3.1	1.3	1.1	0.6	NR	NR

LUXFORM provides this information as a guide only and assumes no liability for its use. Allowable pole EPA for job site wind conditions must be equal to or greater than fixture mount EPA. Responsibility lies with the specifier for the correct pole selection based on A.N.S.I. wind map and job location.

#### NOTES

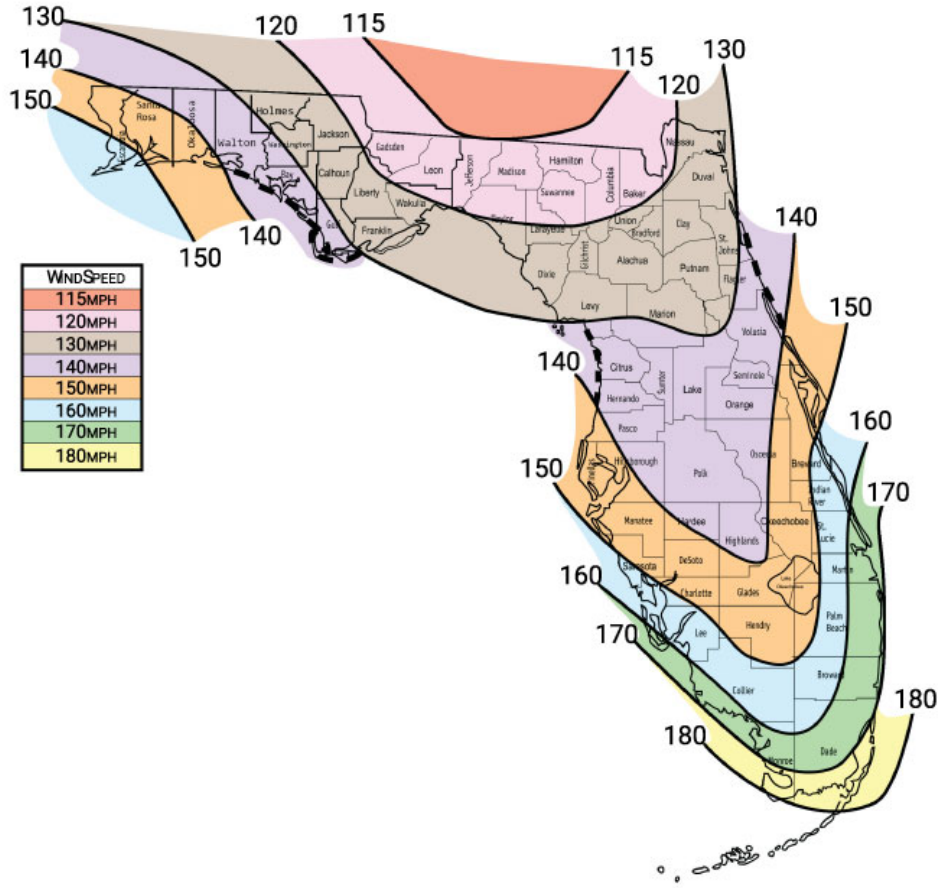
1. Maximum EPA (Effective Projected Area) are based on AASHTO 2013 (90-150MPH) and ASCE 7-05
2. Maximum EPA (Effective Projected Area) and weight values are based on side mounted fixtures only. Consult factory on loading criteria for pole top mounted luminaires and/or brackets. Variations from sizes above are available upon inquiry at the factory. Satisfactory performance of poles is dependent upon the pole being properly attached to a supporting foundation of adequate design.
3. Structure weight is a nominal value which includes the pole shaft and base plate only.
4. Variations from sizes above are available upon inquiry at the factory.
5. Satisfactory performance of poles is dependent upon the pole being properly attached to a supporting foundation of adequate design.

Project Name	Product Code
Job Location	Date
Notes	

RSSA

## ROUND STRAIGHT STEEL ANCHOR BASED POLE

### WIND MAP FOR FLORIDA



#### FBC 2023 / ASCE 7-10 WIND MAP EPA LOAD RATING - ULTIMATE 3 SECOND GUST WIND

Cat. No.	Weight (lbs)	Total Luminaire Weight (lbs)	120 MPH (ft <sup>2</sup> )	130 MPH (ft <sup>2</sup> )	140 MPH (ft <sup>2</sup> )	150 MPH (ft <sup>2</sup> )	160 MPH (ft <sup>2</sup> )	170 MPH (ft <sup>2</sup> )	180 MPH (ft <sup>2</sup> )
RSSA-10-411	80	300	15.7	13.1	11.1	9.4	8.2	7.2	6.4
RSSA-15-411	106	161	8.4	6.8	5.4	4.4	3.7	3.2	2.7
RSSA-20-411	132	102	5.3	4.0	3.0	2.1	1.7	1.4	1.1
RSSA-25-411	158	65	2.4	1.4	0.7	NR	NR	NR	NR
RSSA-30-507	267	130	6.1	4.8	3.9	3.2	2.6	2.1	1.7
RSSA-30-511	233	89	2.3	1.5	1.1	0.7	NR	NR	NR

LUXFORM provides this information as a guide only and assumes no liability for its use. Allowable pole EPA for job site wind conditions must be equal to or greater than fixture mount EPA. Responsibility lies with the specifier for the correct pole selection based on A.N.S.I. wind map and job location.

#### NOTES

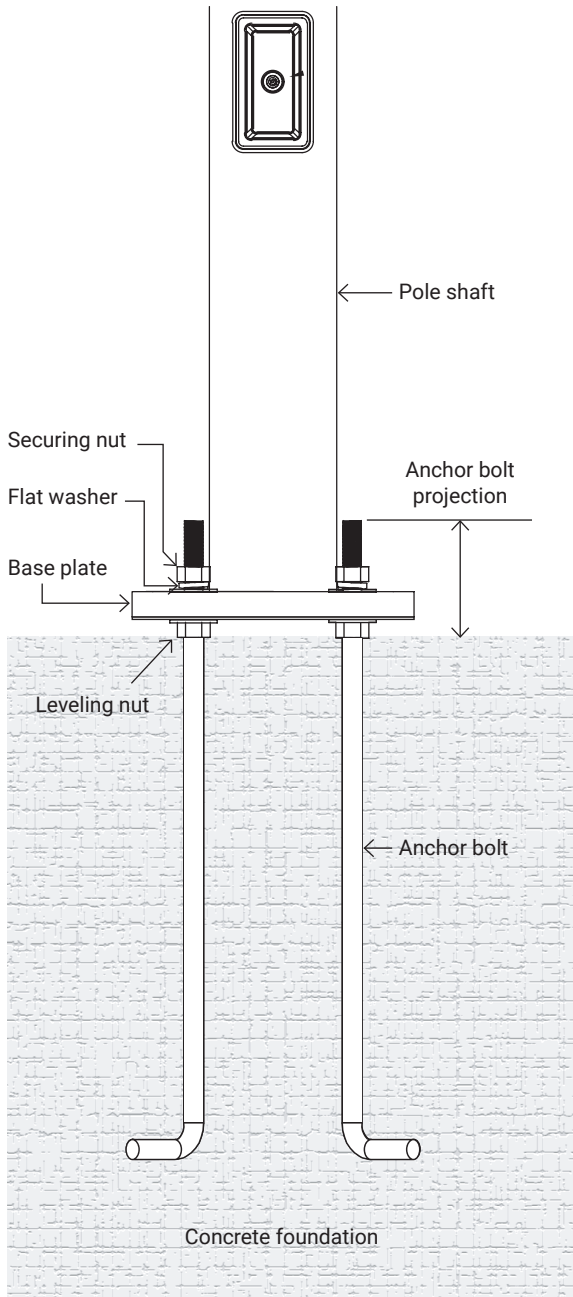
1. Values are ultimate design 3-second gust wind speeds in miles per hour at 33 ft. above ground for Exposure C category.
2. Linear interpolation between contours is permitted.
3. Islands and coastal areas outside the last contour shall use the last wind speed contour of the coastal area.
4. Mountainous terrain, gorges, ocean promontories, and special wind regions shall be examined for unusual wind conditions.
5. Wind speeds correspond to approximately a 7% probability of exceedance in 50 years (Annual Exceedance Probability = 0.00143, MRI = 700 years).

Figure 1609.3(1) Ultimate Design Wind Speeds, VULT, For Risk Category II Buildings And Other Structures

Project Name		Product Code	
Job Location		Date	
Notes			

## INSTALLATION

Here is a high-level description of the installation of our structures. It is important to note this is not a comprehensive installation guide, and installation contractors must be relied upon for equipment and practices that meet the conditions of each job location. LUXFORM Inc. is not responsible for any damage that occurs during or after installation, or for any structure that has been modified by the purchaser or used in a way other than our application recommendations.



### Grounding & Protection Against Electric Shock

The purchaser and installer must provide electrical groundings and warnings about electrical hazards in accordance with applicable codes.

### Anchor Bolt Foundations

- The concrete foundation must be designed by a qualified engineer with knowledge of the local soil conditions.
- Anchor bolt diameter, length, and psi are specifically selected to withstand load limitations listed in the catalog or quote.
- LUXFORM Inc. is not responsible for the structural integrity of the system if anchor bolts are supplied by others.
- The bolt circle template provided conforms to the bolt circle of the pole base.
- When leveling nuts are used, the bottom of the lowest leveling nut should not be more than 1" from the concrete surface.
- Large spaces between the pole base plate and the concrete can cause excessive stresses in the anchor bolts.

### Pole Installation Guidelines

1. Attach sling to top of pole.
2. Attach luminaries and complete wiring.
3. Place leveling nuts and washers on anchor bolts.
4. Erect pole.
5. Position over anchor bolts and set on leveling nut washers.
6. Place anchor nuts and washers on anchor bolts and tighten once pole is plumb.

NOTE: Do not erect pole without the intended loading attached